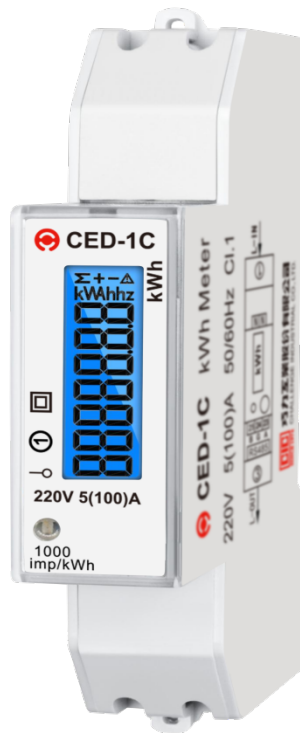




巧力互業股份有限公司
CHALLENGE INDUSTRIAL CO., LTD.

CED-1C

User Manual



單相軌道式多功能電表

目錄

1. Specifications 規格	3
2. Meter Series Details 電表詳情	4
3. LCD Display layout LCD 顯示佈局	4
4. Description 外觀說明	6
5. Meter Dimensions 電表尺寸	6
6. Wiring Connection 接線說明	7
7. Safety Instructions 安全須知	7
8. Technical support 技術支援	10

1.Specifications 規格

Technical Parameters 技術參數

Content 內容		Parameters 參數
標準	Standard	IEC62053-21
額定電壓	Rated Voltage	220V
額定電流	Rated Current	5(100)A
脈衝常數	Impulse Constant	1000 imp/kWh
頻率	Frequency	50Hz/60Hz
精度等級	Accuracy Class	B(CL1.0)
液晶顯示器	LCD Display	LCD 5+2 = 99999.99kWh
工作溫度	Working Temperature	-25 ~ 70°C
貯存溫度	Storage Temperature	-30~70°C
能量消耗	Power Consumption	<12VA <1W
平均濕度	Average Humidity	≤75% (Non Condensing)
最大濕度	Maximum Humidity	≤95%
啟動電流	Start Current	0.004Ib
防水保護	Case Protection	IP51 indoor

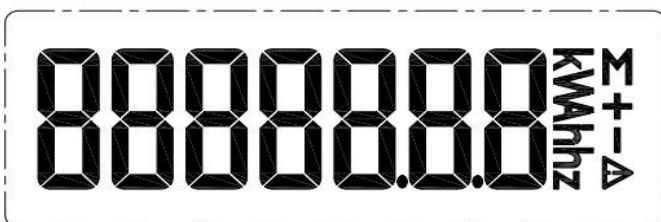
2.Meter Series Details 電表詳情

類型 Type		CED-1C
軟體版本	Software Version	V1.1
校驗碼	CRC	778C
脈衝常數	Impulse Constant	1000imp/kWh
通訊界面	Communication	RS485 Modbus
波特率	Baud rate	9600 (default)\19200\38400\115200
背光	Backlight	Blue
鋰電池	Li-Battery	YES
多費率	Multi-tariff	YES
測量模式	MeasurementMode	1-total =forward 2-Total=reverse 3-Total =forward +reverse(default)
按鈕	Button	Touch button
按鈕功能	Button function	Page turning, information display
出廠設置	Default setting	9600/EVEN /8/1
測量模式設置	Measurement Mode setting	RS485

3.LCD Display layout LCD 顯示佈局

Different values with different indicators

不同的數值 · 不同的指標



LCD Scrolling Display Page

LCD滾動顯示頁面

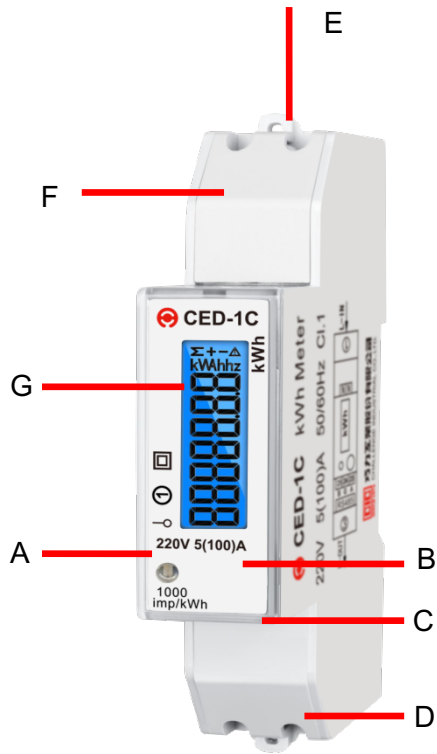
Page	Content 內容	Unit 單位	Format 格式	Remark 備註
1	Total active energy 總有效電能	kWh	5+2 00000.00	
2	Forward active energy 正向有效電能	kWh	5+2 00000.00	
3	Total reactive energy 總無效電能	kWh	5+2 00000.00	
4	Voltage 電壓	V	3+2 000.00	
5	Current 電流	A	3+2 000.00	
6	Active power 有效功率	W	5+0 00000	
7	Reactive power 無效功率	var	5+0 00000	
8	Apparent power 視在功率	VA	5+0 00000	
9	Power factor 功率因數	PF	1+2 0.00	With direction and CL
10	Frequency 頻率	Hz	2+2 00.00	
11	Software 軟件版本號	VX.X		V1.1

Long press button for more than 3 seconds at any Scrolling display page to enter the information display page

LCD液晶通訊設置頁面(長按切換按鈕，僅查看，不能修改)

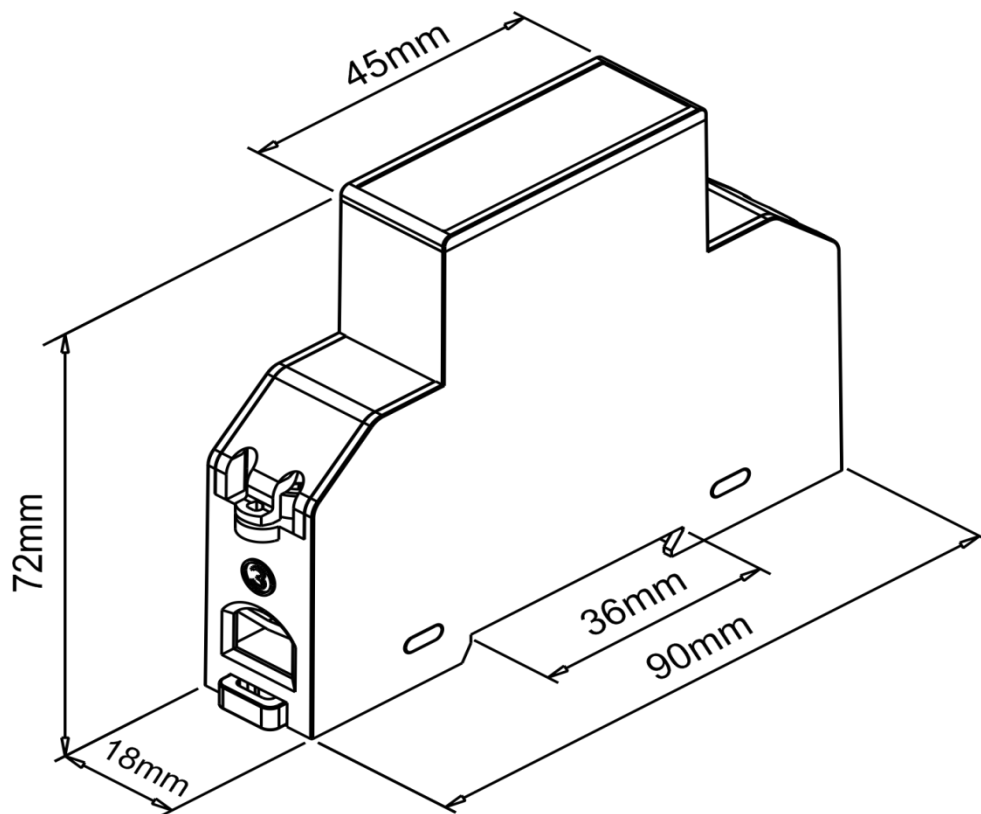
Page	Content 內容	Unit 單位	Remark 備註
1	Communication address 通訊地址	IDXXX	
2	Baud rate 波特率	9600 (default)\19200\38400\115200	
3	校驗位	NONE、ODD、EVEN(default)	

4. Description 外觀說明

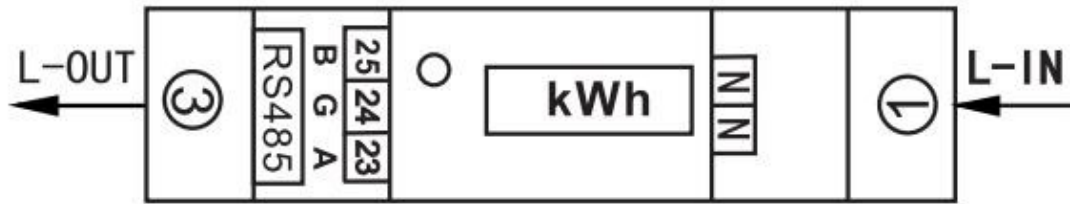


標示	說明	
A	Impulse indication	脈衝指示
B	Button for data checking	數據切換按鈕
C	RS485 Output	RS485輸出
D	L-Out	火線輸出
E	L-In	火線輸入
F	Neutral Wire	中性線
G	LCD screen	LCD螢幕

5. Meter Dimensions 電表尺寸



6. Wiring Connection 接線說明



Note: 23.24.25 is for A+, G, B-.

If the RS485 communication converter doesn't have G port, no need to connect. For Neutral wire, you can connect one N port and connect both.

如果 RS485 通訊轉換器沒有 G，則無需連接。對於中性線，您可以連接一個 N 端口並連接兩個。

7. Safety Instructions 安全須知

- Case is sealed, do not open the meter. No warranty if case is opened.
外殼密封，請勿打開電表。開箱不保修。
- The meter should be installed indoor or in the outdoor electric meter box.
電表應安裝在室內或室外電表箱內。
- Vibrations of low significance, as per 2014/32/EU Directive.
根據 2014/32/EU 指令，該電表旨在安裝在機械環境 "M1" 中，衝擊和振動不明顯。
- The meter is intended to be installed in Electromagnetic Environment "E2", as per 2014/32/EU Directive.
根據 2014/32/EU 指令，該電表旨在安裝在電磁環境 "E2" 中。

Information for Your Own Safety 安全須知

This manual does not contain all of the safety measures for operation of this equipment (module, device) because special operating conditions, local code requirements or local regulations may necessitate further measures. However, it does contain information which must be adhered to for your own personal safety and to avoid damage to the equipment. This information is highlighted by a warning triangle with an exclamation mark or a lightning bolt depending on the severity of the warning.

本手冊不包含操作此設備（模塊、設備）的所有安全措施，因為特殊操作條件、當地法規要求或當地法規可能需要採取進一步措施。但是，它確實包含為了您自己的人身安全和避免損壞設備而必須遵守的信息。根據警告的嚴重程度，此信息通過帶有感嘆號或閃電的警告三角形突出顯示。



Warning

Means that failure to observe the instruction can result in death, serious injury or considerable material damage.

不遵守操作說明可能會導致死亡、重傷或重大財產損失。



Caution

Means hazard of electric shock and failure to take the necessary safety precautions will result in death, serious injury or considerable material damage.

觸電危險和未能採取必要的安全預防措施將導致死亡、重傷或重大財產損失。

Qualified personnel 合格人員

Installation and operation of this equipment described in this manual may only be performed by qualified personal.

Only people that are authorized to install, connect and use this equipment and have the proper knowledge about labeling and grounding electrical equipment and circuits and can do so according to safety and regulatory standards are considered qualified personnel in the manual.

本手冊中描述的本設備的安裝和操作只能由合格的人員進行。

只有經授權安裝、連接和使用本設備，並且具備有關標記和接地電氣設備和電路的適當知識，並且能夠按照安全和監管標準執行此操作的人員，才被認為是本手冊中的合格人員。

Use for the intend purpose 用於預期目的

The equipment (device, module) may only be used for the application cases specified in the catalog and the user manual and only in connection with devices and components recommended and approved by CIC.

設備（設備、模塊）只能用於目錄和用戶手冊中指定的應用案例，並且只能與巧力工業(CIC) 推薦和批准的設備和組件結合使用。

Exclusion of liability 責任免除

We have checked the contents of this publication and every effort has been made to ensure that the descriptions are as accurate as possible. However, deviations from the description cannot be completely ruled out, so that no liability can be accepted for any errors or omissions in the information given. The data in this manual is checked regularly and the necessary corrections will be included in subsequent editions. If you have any suggestions, pls let us know.

敝公司已經檢查了本出版物的內容，並已盡一切努力確保描述盡可能準確。但是並不能完全排除與描述的偏差，因此對於所提供信息中的任何錯誤或遺漏，我們不承擔任何責任。本手冊中的數據會定期檢查，必要的更正將包含在後續版本中。如果您有任何建議，請告訴我們。

Copyright CHALLENGE INDUSTRIAL Co., Ltd. April 2022 All rights Reserved.

版權歸巧力工業股份有限公司(CIC)所有，2022 年 4 月

It is prohibited to pass on or copy this document or to use or disclose its contents without our express permission. Any duplication is a violation of the law and subject to criminal and civil penalties. All rights reserved, particularly for pending or approved patents award or registered trademarks.

未經我們明確許可，禁止傳遞或複製本文檔，或使用或披露其內容。任何復制都是違法的，將受到刑事和民事處罰。保留所有權利，特別是對於未決或已批准的專利授予或註冊商標。

General Warning 一般警告

After removing the packaging make sure the integrity of the unit. If in doubt don't use the equipment and contact technical staff.

Mounting of electric appliances must be carried out only by skilled electricians. It is imperative to observe the generally applicable safety measures.

拆下包裝後，請確保設備的完整性。如有疑問，請勿使用設備並聯繫技術人員。
電器的安裝必須由熟練的電工進行。必須遵守普遍適用的安全措施。

In case of failure and /or malfunctioning of the device, turn off it. For any repair only contact technical staff. Failure to comply with the above may compromise the device safety.

如果設備出現故障和/或故障，請將其關閉。任何維修只能聯繫技術人員。不遵守上述規定可能會危及設備安全。

Warranty 保固

The manufacturer will repair or exchange the products while the lead seal is still existed, within 12months, when discovering the products not accordance with the technical specification.

12個月內，發現產品不符合技術規範，製造商將在鉛封未使用的情況下進行維修或更換產品。

8. Technical support 技術支援

For any problems of our products please contact: fl.sales@cic-ltd.com.tw

PROTOCOL : <https://reurl.cc/kybMor>

對於我們產品的任何問題，請聯繫：fl.sales@cic-ltd.com.tw



電子事業群

105台北市南港區南港路三段80巷46號1樓

TEL : 886-2-2788-3368

FAX : 886-2-2789-0608

*本使用手冊內容若有變更，恕不另行通知