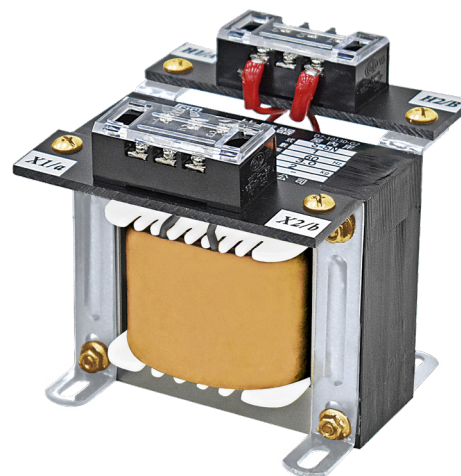


LOW-VOLTAGE DRY-TYPE CONTROL TRANSFORMERS



S Series

Introduction

Suitable for use with machine tools or industrial equipment as a control transformer (CTR), this product is often referred to as an "industrial control transformer," "machine tool transformer," or "control power transformer (CPT)." This single-phase transformer, with Class-A or Class-H insulation, can also be installed in low-voltage main panels or motor control panels as an auxiliary power source. This compact and economical product is easy to install.

Features

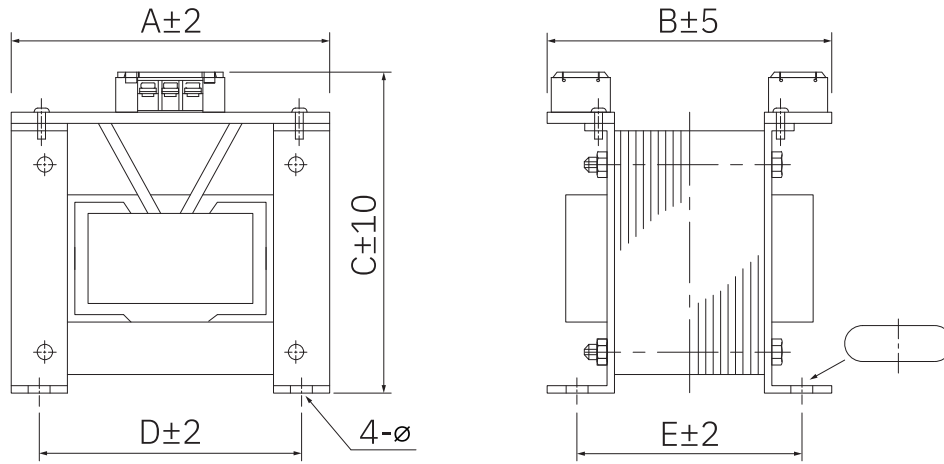
- Standards: CNS, IEC or IEEE
- Suited to locations with lower humidity
- Economical, compact and easy to install
- Primary and secondary terminal covers included for protection against dust and electrical shock

Specifications

- Standards: CNS, IEC or IEEE
- Phase: Single-Phase
- Frequency: 60 Hz
- Rated Primary Voltage: 220–480 V
- Rated Secondary Voltage: 110–220 V
- Class of Insulation: Class A (for models with a burden rating of 1 kVA or lower) or Class H (for models with a burden rating of 1.5 kVA or higher)
- AC/BIL: 3/- kV (IEC) or 4/- kV (CNS)
- Other standards and specifications upon request

Drawings and Selection Table

(Unit: mm)



Model	Burden (VA)	Outline Dimensions (mm)						Class of Insulation	Approx. Weight (kg)
		A	B	C	D	E	∅		
S-5	50	86	115	92	72	68	5	A	2
S-6	75	86	115	92	72	68	5		2
	100	96	115	102	82	68	5		3
S-7	150	114	125	118	96	82	6		4
	200	114	135	118	96	92	6		5
	250	114	135	118	96	92	6		5
S-8	300	114	145	118	96	102	6		6
	350	114	145	118	96	102	6		6
	400	114	145	118	96	102	6		7
S-9	500	133	130	140	112	87	6		7
	600	133	130	140	112	87	6	7	
S-10	750	133	150	140	112	108	8	7	
	1000	162	136	162	135	96	8	10	
S-11	1500	162	150	162	135	120	8	H	13
	2000	190	180	190	160	120	8		19
S-12	2500	190	200	190	160	140	8		22
	3000	190	210	190	160	150	8		23

Note: Dimensions are for reference purposes only.
Please contact us for final specifications.



CHALLENGE INDUSTRIAL CO., LTD.

1F, No. 46, Ln. 80, Sec. 3, Nangang Rd.,
Taipei City 115, Taiwan (R.O.C.)
T: 886-2-2788-3368 ext. 2318